

DIP PLUGS LOW PROFILE 8-20 POSITION



PHYSICAL PROPERTIES

INSULATION MATERIAL: Glass filled thermoplastic rated UL 94V-0

COLOR: Blue

CONTACTS: Beryllium copper; 30μ inches min. gold over 50μ inches nickel in contact zone; tin/lead over nickel in termination area.

ELECTRICAL PROPERTIES

CURRENT RATING: 1 Amp

INSULATION RESISTANCE: >1 x 10⁹ Ohms

DIELECTRIC STRENGTH: >1000 VRMS at sea level

ENVIRONMENTAL PROPERTIES

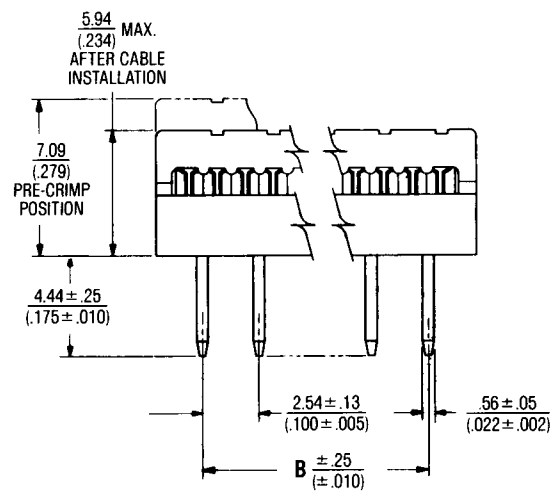
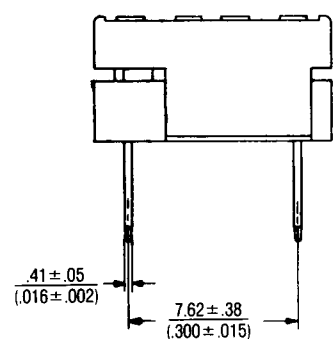
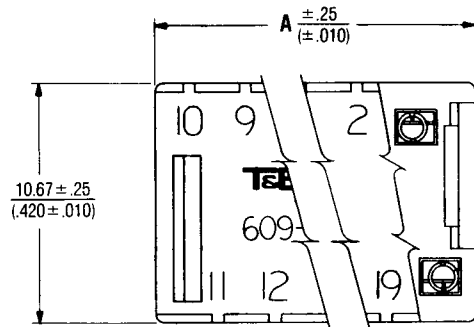
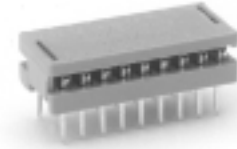
TEMPERATURE RATING: -55°C TO 125°C

APPLICATION TOOLING

HAND TOOL	779-2100
use Die	779-2162
BENCH PRESS (MANUAL)	779-3200
use Platen	779-3130
use Base Plate	779-3162
BENCH PRESS (PNEUMATIC)	779-3500XT
use Platen	779-3130
use Base Plate	779-3162

CABLE

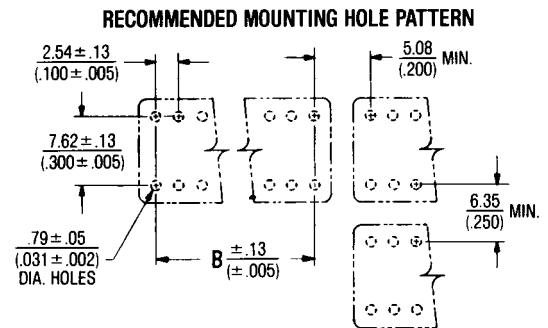
See pages 116-128



Ordering Information

CATALOG NO.	NO. OF POS.	DIMENSIONS IN MM (INCHES)	
		A	B
609-M085H	8	11.76 (.463)	7.62 (.300)
609-M145H	14	19.38 (.763)	15.24 (.600)
609-M165H	16	21.92 (.863)	17.78 (.700)
609-M185H	18	24.46 (.963)	20.32 (.800)
609-M205H	20	27.00 (1.063)	22.86 (.900)
609-M085TH	8	11.76 (.463)	7.62 (.300)
609-M145TH	14	19.38 (.763)	15.24 (.600)
609-M165TH	16	21.92 (.863)	17.78 (.700)
609-M185TH	18	24.46 (.963)	20.32 (.800)
609-M205TH	20	27.00 (1.063)	22.86 (.900)

H = Au OVER Ni
HT = Tin OVER Ni



NOTE: CONNECTOR SPACINGS ARE GIVEN AS MINIMUMS FOR EASE OF PLUGGING OR UNPLUGGING. GREATER SPACING IN AT LEAST ONE DIRECTION IS RECOMMENDED.